



Barn Door & Hardware Installation Guide



INTRODUCTION

Thank you for purchasing our hardware. Our barn door and hardware will add a stunning accent to your living environment and maximize its space.

This manual covers the installation of our barn door and hardware.

Safety.....	1
Parts.....	2
Hardware.....	2
Tools Required	2
Installation.....	3
1. Check Top of Door Clearance.....	3
2. Check Structural Support	4
3. Check Door to Wall Clearance	6
4. Assembling the Door	7
5. Mounting a Single Door	8
6. Mounting Double Doors.....	12
Product Care	12

⚠ WARNING!

- Failure to wear proper safety gear (i.e., eye protection) may result in serious injury or death. Always wear proper safety gear before using power tools.
- Improper operation of power tools may result in loss of control, serious injury or death. Always ensure you have complete control of the power tool and the work area is free of hazards before operating a power tool
- Lack of secure clamping of the door may result in unexpected movement of the door, loss of power tool control and serious injury or death. Always securely clamp the door in place before cutting, or drilling, the door.
- Lack of, or improperly installed Anti-Jump Disc may result in the door coming off the track and cause serious injury or death. Installation of Anti-Jump Disks are required for safe operation of this hardware. Installed properly, these discs will keep the door securely attached to the track.

⚠ CAUTION!

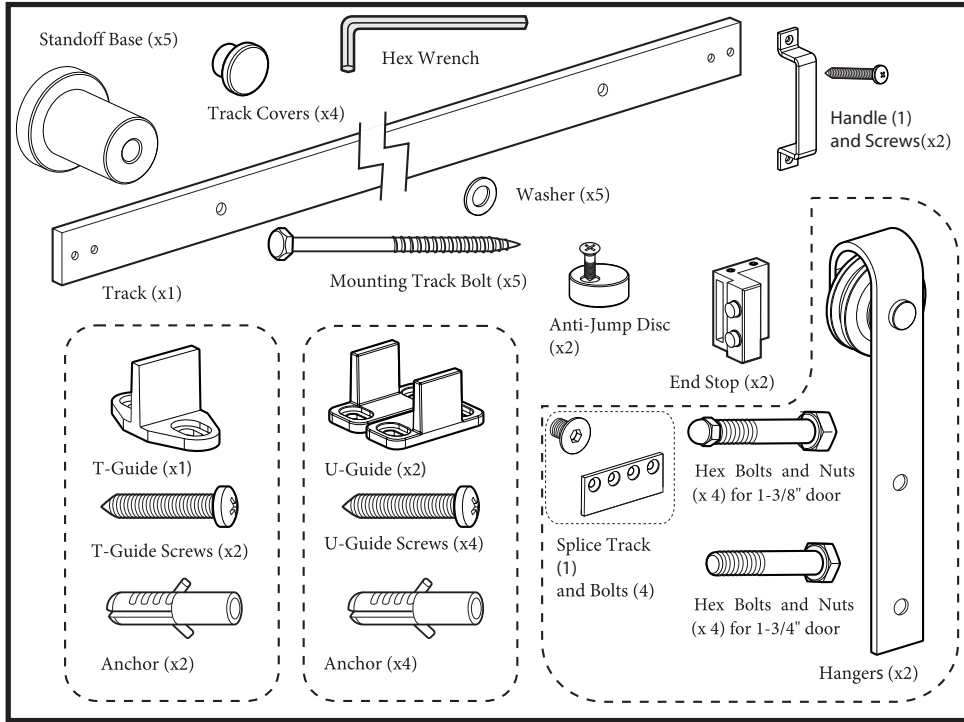
- Mishandling of heavy objects (i.e., doors) may cause a loss of balance and serious injury. Always be sure you have a secure hold on the object and are balanced before moving the object. Always wear safety shoes when lifting heavy objects.
- Getting body parts (i.e., hair, fingers) caught in moving parts may cause pinching and serious injury. Do not put fingers in parts that may move and always remove or contain anything on your body that may become entangled with a moving part.
- Closing sliding doors with your hand on the end of the door may result in your hand, or fingers, getting caught between the door and other solid objects (i.e., another door, molding) causing serious injury. Always use the door handle to close doors.

NOTICE

Use of excessive force when opening, and closing, the door(s) may result in damage to the hardware. Always hold the handle and gently open and close the door(s).

HARDWARE

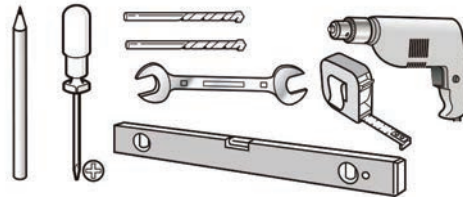
Before you begin, check that you have the parts you need in your kit. The list below will provide everything you will need for your hardware.



<u>Part</u>	<u>Qty.</u>
Standoff Base	5
Track Covers	4
Washer	5
Track	1
Mounting Track Bolts	5
1-3/8" Hex Bolt & Nut	4
1-3/4" Hex Bolt & Nut	4
T-Guide	1
T-Guide Screws	2
T-Guide Anchors	2
U-Guide	2
U-Guide Screws	4
U-Guide Anchors	4
Hangers	2
End Stop	2
Anti-Jump Disc	2
Hex Wrench	1
Handle and Screws	2
Splice Track	1
Splice Track Nut	4

TOOLS REQUIRED

Tools
3/4" wrench
Power Drill with 1/4" & 1/8" Drill Bit
Screwdriver
Tape Measure
Pencil
Level

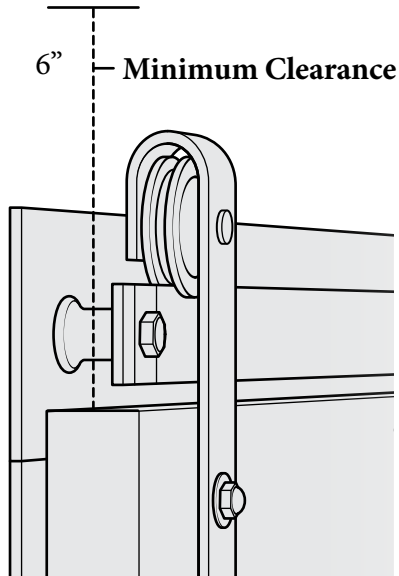


1. Check Top of Door Clearance

Before mounting the track, measure and check there will be sufficient clearance for the hanger. The following table shows the minimum clearance needed between the top of the door and the ceiling line.

Top of Door Clearance Chart

Minimum Clearance from top of Door to Ceiling Line



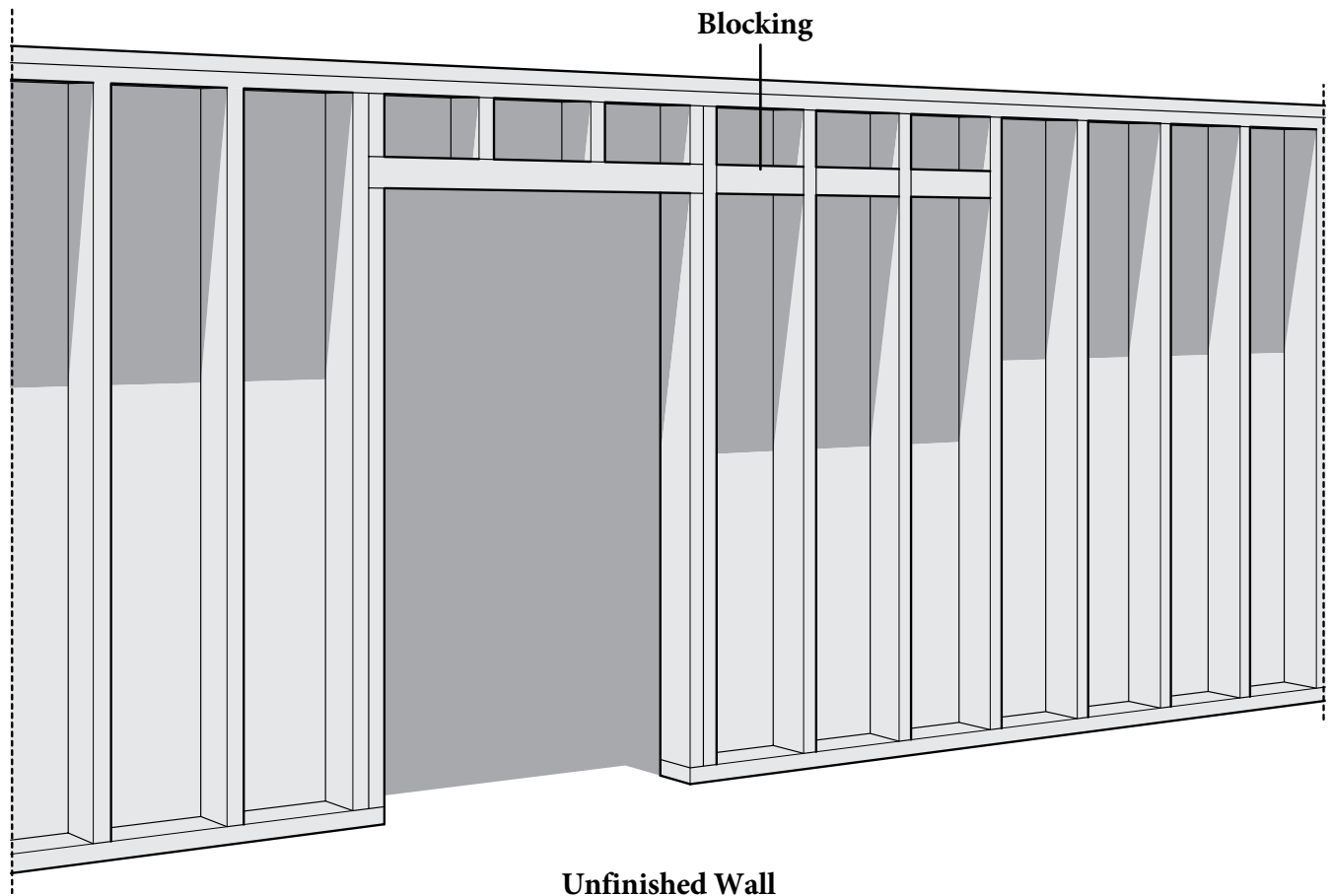
2. Check Structural Support

If there is not adequate support (i.e., blocking or head casing) for the weight and movement of the door(s), then you must add structural support before attaching the track(s) and door(s) to the wall. Follow these steps to add structural support to an unfinished or finished wall.

Important! All track systems must be attached to interior blocking or a head casing.

Unfinished Wall

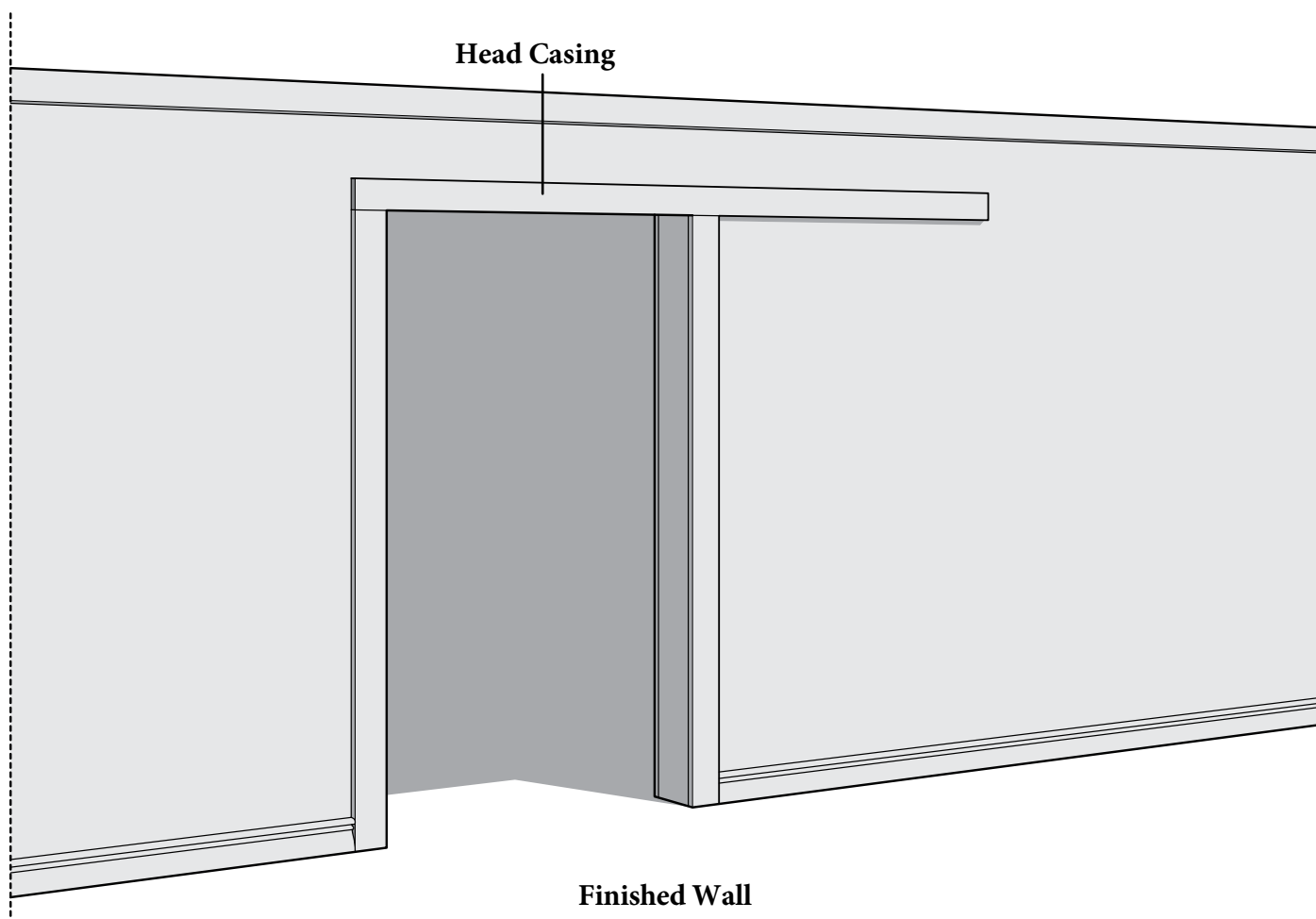
1. Determine which direction you wish to open the door and add, or install structural support in that direction.
2. Check the length of the track(s) and determine the number of blocks you will need. Keep in mind the suggested door-to-frame overlap of 1" per side for doors up to 54" and 2" overlap per side for larger doors.
3. Cut the 2 x 6 block(s) to the correct length(s) between the wall studs.
4. Place the blocking at the appropriate height.
Note: Add two (2") inches to the height of the door, this is the ideal center of the blocking.
5. Position the wide face of the blocking so it is flush with the front surface of the wall studs.
6. Securely fasten the blocking to the wall studs.



Finished Wall

Important! The maximum door weight rating for attaching a door to head casings alone with no wall blocking, is 75 lb. (see unfinished wall section for installing structural support for heavier doors). The head casing must be a minimum of 1" thick and it is recommended it be a hardwood. We also recommend that you paint or stain the head casing before attaching it to the wall.

1. Determine which direction you wish to open the door and open the door and follow directions below accordingly.
2. Check the length of the rail(s). Cut the head casing to the desired length.
Note: The length of the head casing can be oversized if desired.
3. Using a stud-finder, find and lightly mark the location of the wall studs.
4. Place, and level, the head casing.
5. Securely fasten the head casing to the wall studs at the marked locations.

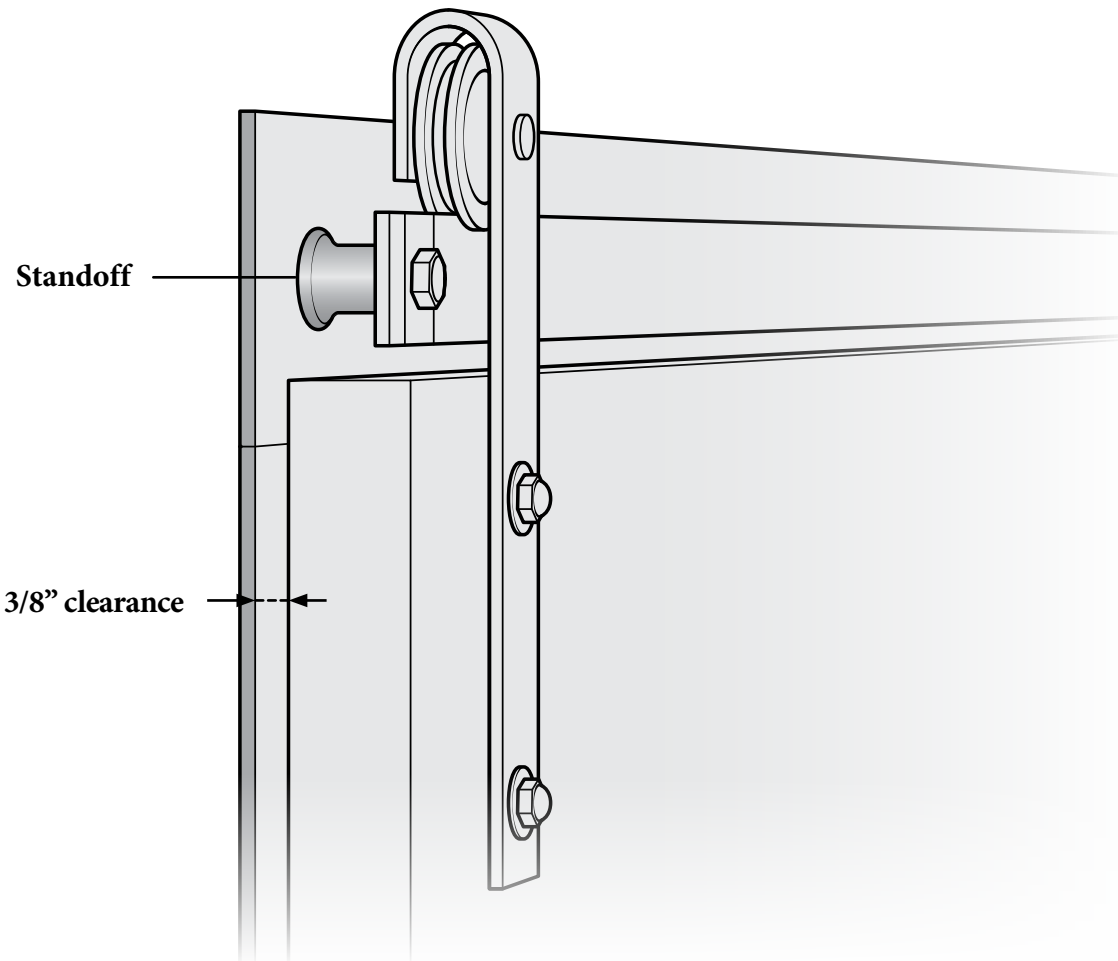


3. Check Door to Wall Clearance

Important! Our hardware requires at least 3/8" between the door and wall / existing molding. See the table below for typical standoff arrangements. Recess the bolt heads, or use standoff extensions to achieve the necessary clearance.

Door to Wall Clearance	
Door Thickness	Standoff Arrangement *
Up to 1 3/4"	1 1/8" standoff base

* **Note:** Maximum total standoff depth of 1-7/8" to maintain door weight rating.



4. Assembling the Door

Important! The hardware is rated to handle a maximum door weight. Do not attach a door that exceeds the weight capacity of the hardware. Maximum door Weight (lb) 220

Attaching the Hangers

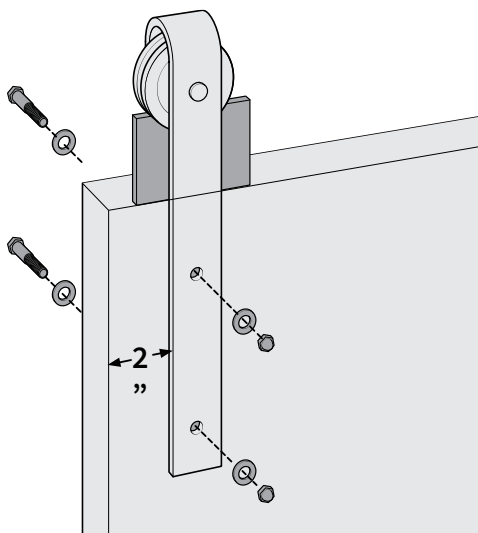
Mount the holes drilled through the door. Use the following chart to select the correct drill bit for the mounting holes:

Drill Instructions Drill a 1/4" diameter clearance hole

Important! Hangers are mounted on the front (outside face) of the door. Follow these steps to attach the hangers to the door:

1. Place the hanger (with 2- 1/16" spacer set into groove of wheel) on top of the door.
Note: You can use stiff cardboard if needed.
2. Position the hanger the desired distance in from the outside edge of the door.
Note: Two inches is a recommended distance from the outside edge of the hanger and outside edge of the door for all hangers.
3. Place a square against the hanger and square the hanger to the door.
4. Mark the hole positions.
5. Setup your power tool with the correct drill bit.
6. From the face to the door, drill a pilot hole through the face of the door.
7. Drill the clearance hole.
8. Place the hanger over the mounting holes and square it to the door.
9. Insert the correct hex bolts and washers from the back of the door.
10. Place the cap nut and washers on the bolt and securely fasten.

Attaching the Hanger



5. Mounting a Single Door

Mounting the Track to the Wall

Follow these steps to mount the track for a single door installation:

1. To locate the position of the first mounting hole on the track:
 - a. Mark where the closed position of the door will be and measure 1 1/8" in from this point.
 - b. Mark the location of the first mounting hole.
 - c. Calculate the distance from the floor to the track mounting holes. Mark the position for the first mounting hole.

Track Mounting Hole Calculation (from floor)

Clearance Guide	Door Height	Distance from top of door to mounting hole	Distance from floor to track mounting hole
1/2"	+	+	1 1/2" =

2. You can mount the track with, or without, Drywall Anti-crush Rings:

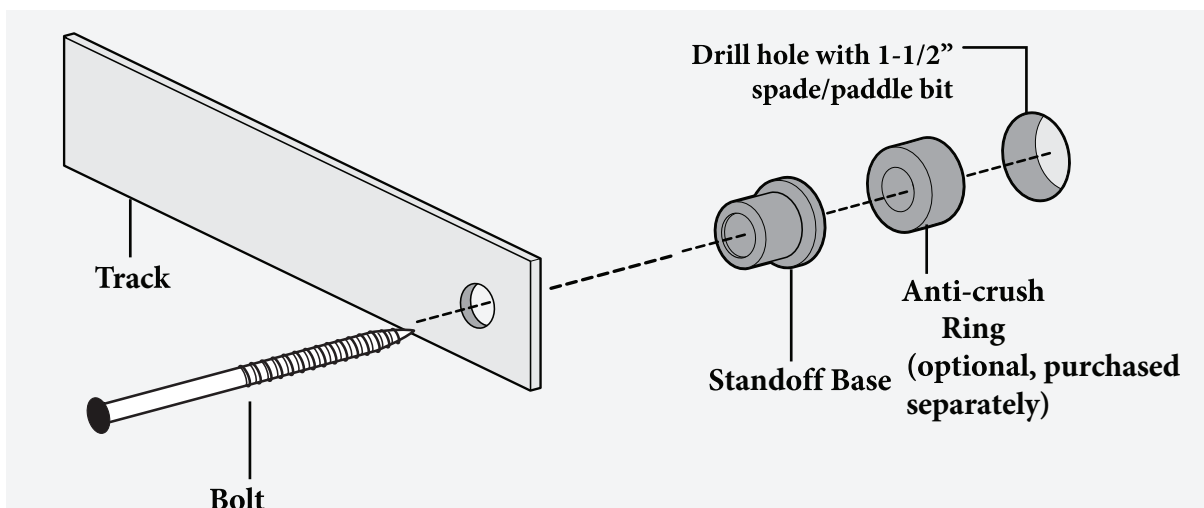
If you are mounting the track without Drywall Anti-crush Rings:

- a. Pre-drill 1/8" diameter pilot hole for the first mounting hole.
- b. Drill a 1/4" diameter hole for the first mounting bolt.

If you are mounting the track with Drywall Anti-crush Rings:

With proper blocking behind the drywall, you can mount the track(s) on top of the drywall or use Drywall Anti-crush Rings. Note: The optional Anti-crush Rings come in 1/2" and 5/8" thickness.

- a. Use a 1 1/2" spade/paddle bit and drill a clean hole through the drywall until you reach the blocking.
- b. Insert the Drywall Anti-crush Ring (sold separately).
- c. Pre-drill 1/8" diameter pilot hole for the first mounting hole.
- d. Drill a 1/4" diameter hole for the first mounting bolt.

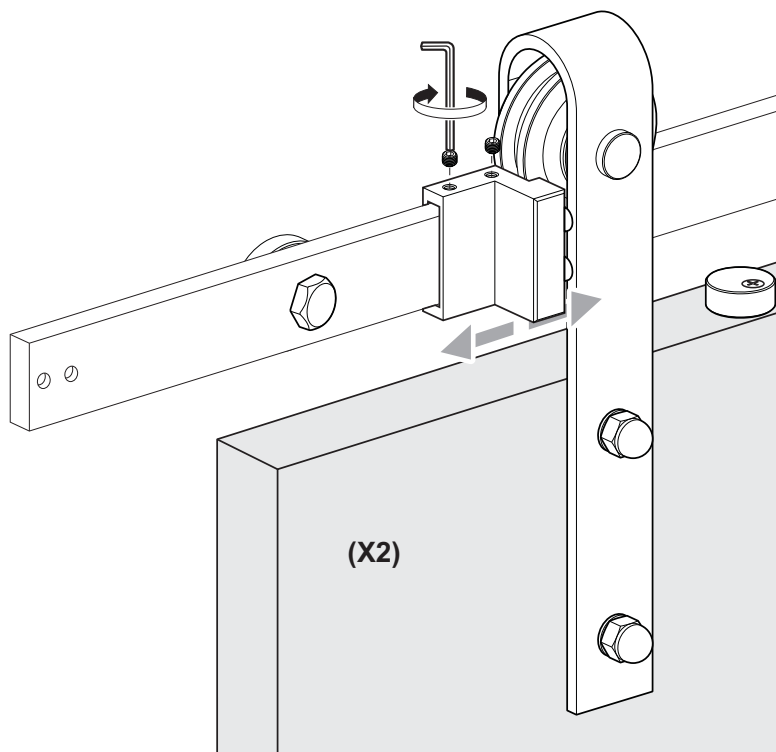


3. Hold the track to the wall. Loosely screw the track in place.
4. Level the track and mark the remaining mounting hole locations.
Note: If multiple tracks are being installed for a single door, then you may use a Splice Plate to connect the tracks.
5. Repeat step 2 on the remaining mounting holes.
6. On the first mounting hole, remove the track. Place a Standoff (and extensions, if using) behind the track and place an End Stop on the track.

Attaching End Stop:

Important! They must be first be placed at their proper location on the track, before track is affixed to wall.

- a. Loosen the set screws with Hex Wrench provided.
- b. Slide the Adjustable End Stop on track (with the cushion pad facing the center of the track).
- c. Place a Standoff behind each of the remaining mounting holes and screw the track securely to the wall
- d. Hang the door(s).
- e. Adjust the End Stops to desired final position, and tighten securely with the Hex Wrench.



Attaching the Door

Follow these steps to attach the door:

1. Lift the door and place the track into the grooves on the hangar wheels
2. Move door from end to end to see how the door slides

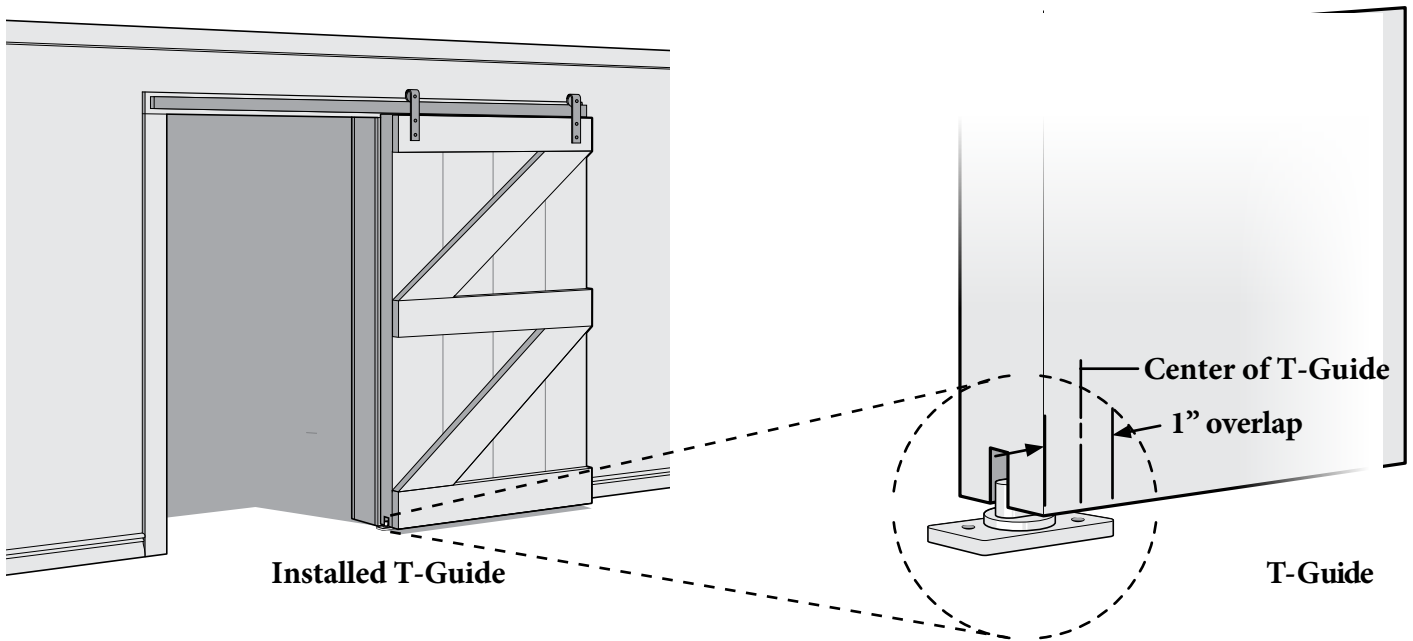
Door Guide Installation:

Follow these steps to install the T-Guide:

1. Plumb and block the door so it is square to the floor
2. Determine how wide the door overlap is (min. 1")

Notes: The door overlap is the distance between the leading edge of the door when fully open, and the trailing edge of the door when fully closed.

3. Mark the centerline of the overlap
4. Place the guide and slide it to the centerline of the overlap and mark the edges off the base.
5. Remove the door off of the track
6. Realign the guide to the base marketing. Pre-drill and install the guide.
7. Put the door back on the track and slide it to test. If necessary, adjust the guide so it is square to the door.

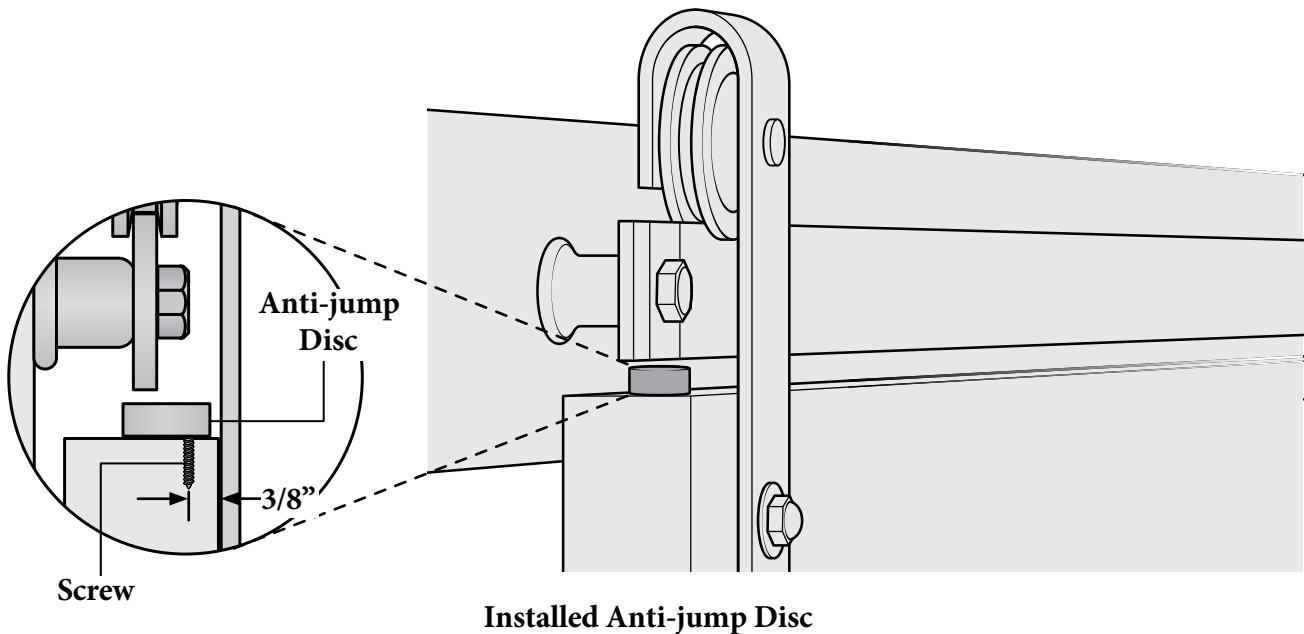


Install the Anti-jump Disc

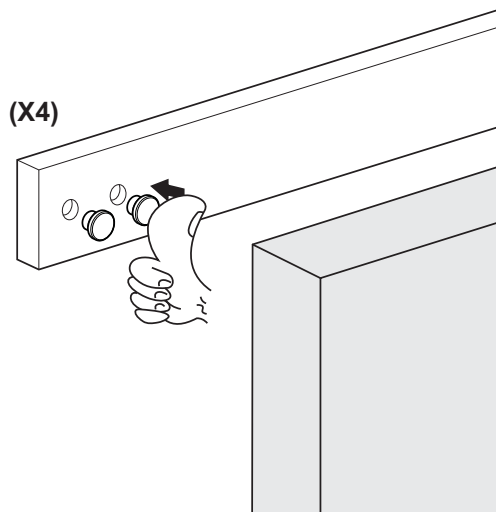
WARNING! Lack of, or improperly installed Anti-jump Disc may result in the door coming off the track and cause serious injury or death. Installation of Anti-jump Disks are required for safe operation of this hardware. Installed properly, these discs will keep the door securely attached to the track.

Follow these steps to install the Anti-jump Disc on all models:

1. Locate the screw for the Anti-jump Disc $\frac{3}{8}$ " of an inch in from the front edge of the door, between the hanger and outside edge of the door.
2. Drill a pilot hole for the screw.
3. Place the Anti-jump Disc on the top of the door and screw in place.
4. Repeat steps 1 through 3 for the remaining hanger.



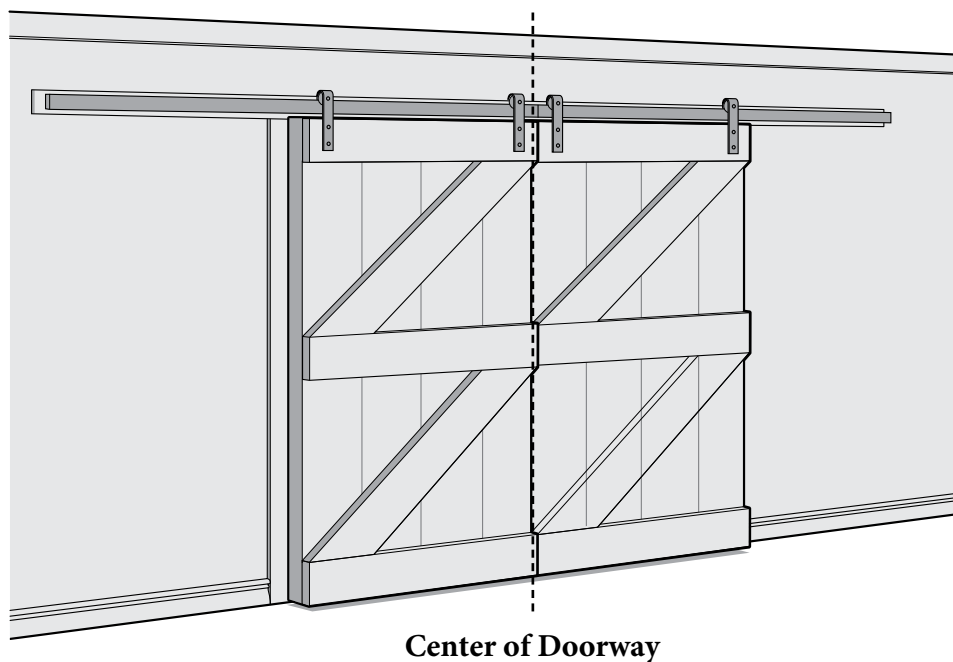
Apply Covers for Track (when not mounting multiple doors)



6. Mounting Dual Tracks for Multiple Doors

The steps to install double doors are the same as the installation of a single door except you will be mounting two separate tracks. One for the left-hand door and one for the right-hand door. **Note:** These tracks are not connected so the track splice is not needed. Follow these steps to mount two tracks:

1. Determine the center of the doorway.
2. Start with the left side door and follow the instructions for mounting a single door.
3. After attaching the track on the left side, butt the end of the tracks together and repeat the steps for mounting a single door.



Product Care

Brushed Stainless Steel

- Polish and protect your finish with included silicone-impregnated polishing cloth.
- Use a Scotch-Brite™ pad to buff out minor scratches and imperfections.
- Periodically check the hardware for loose fasteners. Verify fasteners are secure.
- Keep the track and wheels free of dust and debris. Periodically wipe the track with a lint-free cloth dampened with water, a household stainless steel cleaner, or a silicone spray.

