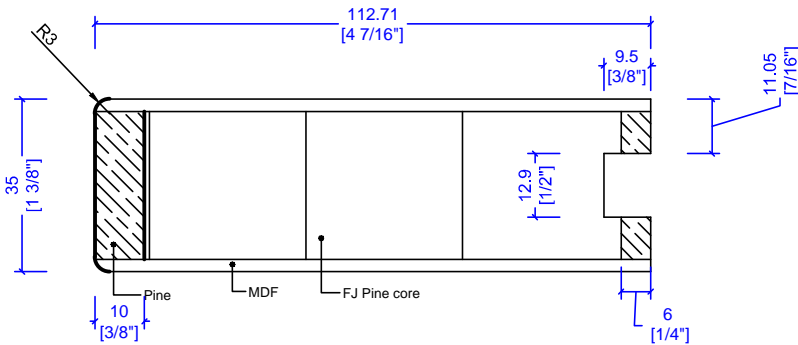
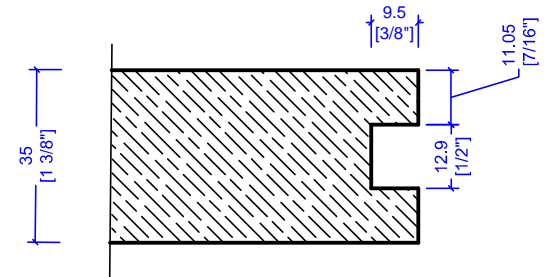
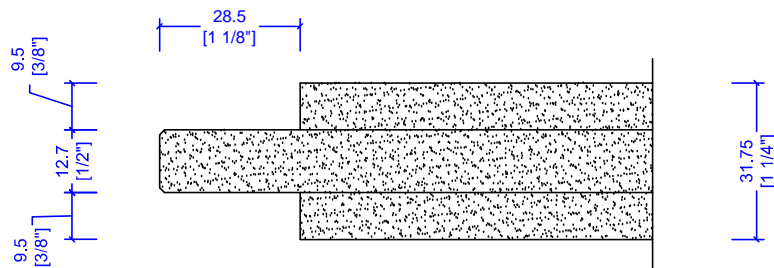
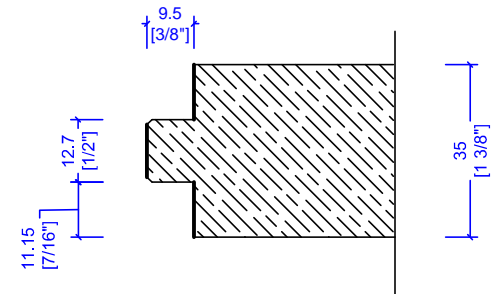


31.75  
[1 1/4"]



STILE SECTION



TOP/BOTTOM SECTION

SECTION A-A

THIS DRAWING AND THE INFORMATION CONTAINED HEREIN IS PROPRIETARY TO TRIMLITE COMPANY AND SHALL NOT BE REPRODUCED, COPIED OR DISCLOSED IN WHOLE OR PART, OR USED FOR MANUFACTURE OR FOR ANY OTHER PURPOSE WITHOUT THE WRITTEN PERMISSION OF TRIMLITE COMPANY.				TITLE			
				8401HD-section			
				DRAWING NO.			
Rev. #	Description	Date	by Whom	LAYOUT	1/1	SCALE NTS	DIMENSIONS ARE IN mm/[in " ]
A		2016.7.21		DRAWN BY:		DATE	

