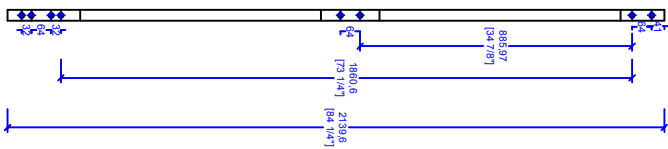


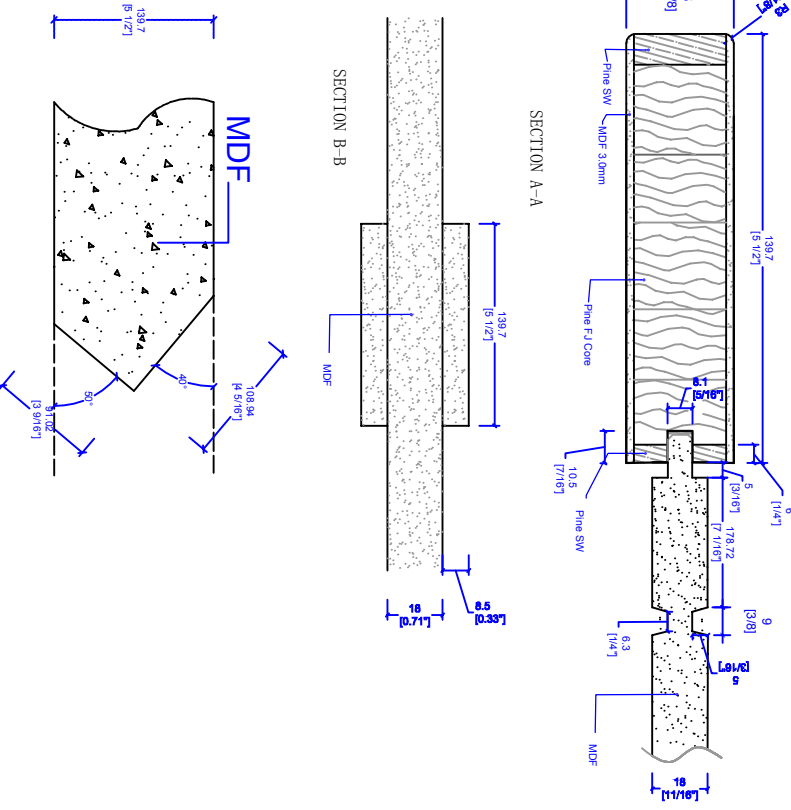
SECTION B-B

MDF



SECTION A-A

SECTION B-B



SECTION B-B

MDF

REV.	DESCRIPTION	DATE	BY
A		2014.11.12	

UNLESS OTHERWISE SPECIFIED:  
DIMENSIONS ARE IN MILLIMETERS  
TOLERANCES ARE:  
FRACTIONS DECIMALS  
3/16" 0.03125"  
1/8" 0.015625"  
3/32" 0.03125"  
1/4" 0.03125"  
1/2" 0.03125"  
3/4" 0.03125"  
1" 0.03125"  
2" 0.03125"  
3" 0.03125"  
4" 0.03125"  
6" 0.03125"  
8" 0.03125"  
10" 0.03125"  
12" 0.03125"  
15" 0.03125"  
20" 0.03125"  
25" 0.03125"  
30" 0.03125"  
36" 0.03125"  
42" 0.03125"  
48" 0.03125"  
54" 0.03125"  
60" 0.03125"  
72" 0.03125"  
84" 0.03125"  
96" 0.03125"  
108" 0.03125"  
120" 0.03125"  
132" 0.03125"  
144" 0.03125"  
156" 0.03125"  
168" 0.03125"  
180" 0.03125"  
192" 0.03125"  
204" 0.03125"  
216" 0.03125"  
228" 0.03125"  
240" 0.03125"  
252" 0.03125"  
264" 0.03125"  
276" 0.03125"  
288" 0.03125"  
300" 0.03125"  
312" 0.03125"  
324" 0.03125"  
336" 0.03125"  
348" 0.03125"  
360" 0.03125"  
372" 0.03125"  
384" 0.03125"  
396" 0.03125"  
408" 0.03125"  
420" 0.03125"  
432" 0.03125"  
444" 0.03125"  
456" 0.03125"  
468" 0.03125"  
480" 0.03125"  
492" 0.03125"  
504" 0.03125"  
516" 0.03125"  
528" 0.03125"  
540" 0.03125"  
552" 0.03125"  
564" 0.03125"  
576" 0.03125"  
588" 0.03125"  
600" 0.03125"  
612" 0.03125"  
624" 0.03125"  
636" 0.03125"  
648" 0.03125"  
660" 0.03125"  
672" 0.03125"  
684" 0.03125"  
696" 0.03125"  
708" 0.03125"  
720" 0.03125"  
732" 0.03125"  
744" 0.03125"  
756" 0.03125"  
768" 0.03125"  
780" 0.03125"  
792" 0.03125"  
804" 0.03125"  
816" 0.03125"  
828" 0.03125"  
840" 0.03125"  
852" 0.03125"  
864" 0.03125"  
876" 0.03125"  
888" 0.03125"  
900" 0.03125"  
912" 0.03125"  
924" 0.03125"  
936" 0.03125"  
948" 0.03125"  
960" 0.03125"  
972" 0.03125"  
984" 0.03125"  
996" 0.03125"  
1000" 0.03125"

DO NOT SCALE DRAWING



TITLE:  
**8402BK**  
1-3/8"x7-0"Pr imed

DRAWN: SCALE: SHEET: 10F1