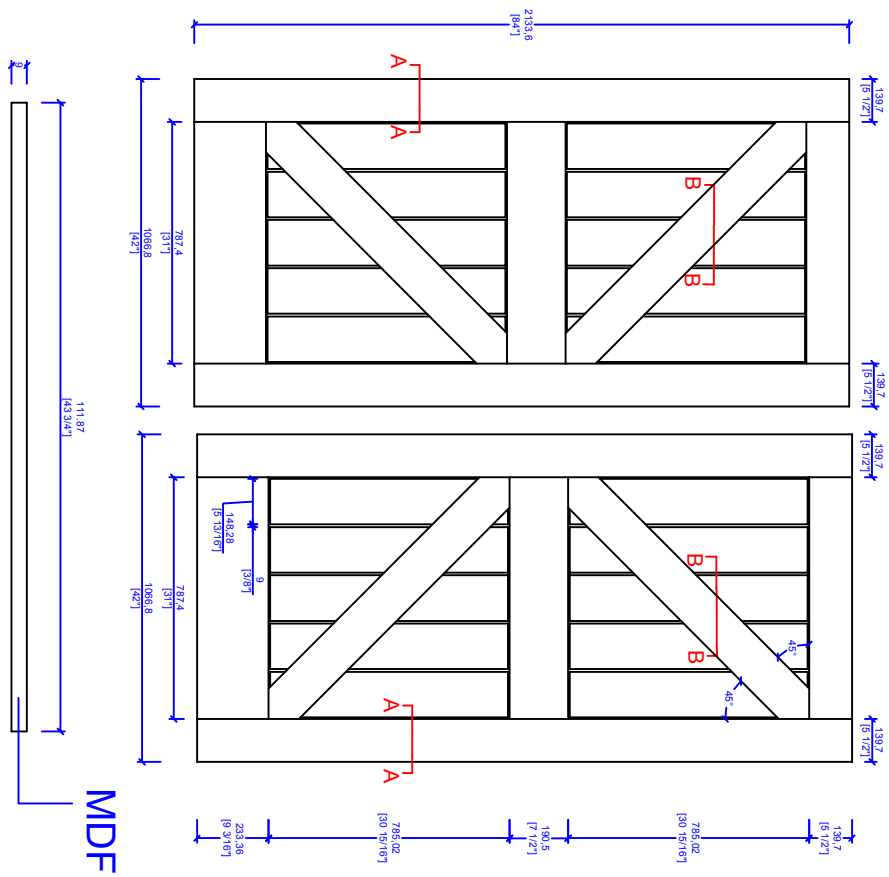
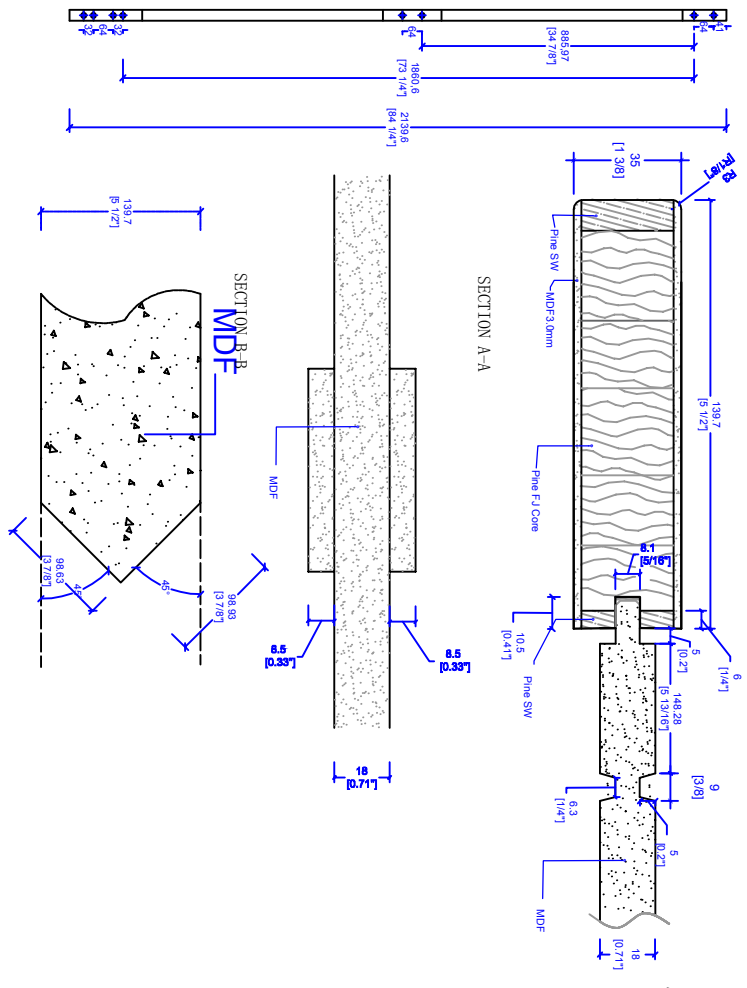


# SECTION B-B



MDF



		<b>TITLE:</b> <b>8402BK</b> <b>1-3/8" x 7-0" Primed</b>	
REV. A	DESCRIPTION	DATE	BY
		2014.11.12	
UNLESS OTHERWISE SPECIFIED: DIMENSIONS ARE IN MILLIMETERS FINISHES ARE AS SHOWN DIMENSIONS ARE TO FACE UNLESS NOTED OTHERWISE		THE INFORMATION CONTAINED IN THIS DRAWING IS THE PROPERTY OF TRIMLITE. IT IS TO BE USED ONLY FOR THE PROJECT AND SITE SPECIFICALLY IDENTIFIED HEREIN. NO OTHER USE OR REPRODUCTION IS PERMITTED.	
DO NOT SCALE DRAWING		DRAWN:	SCALE:
		SHEET:	SHEET: 10F1